

**HXJQ**<sup>®</sup>

China Largest Mining Machinery  
Manufacturer

*Operating Instruction*

**MIXER**

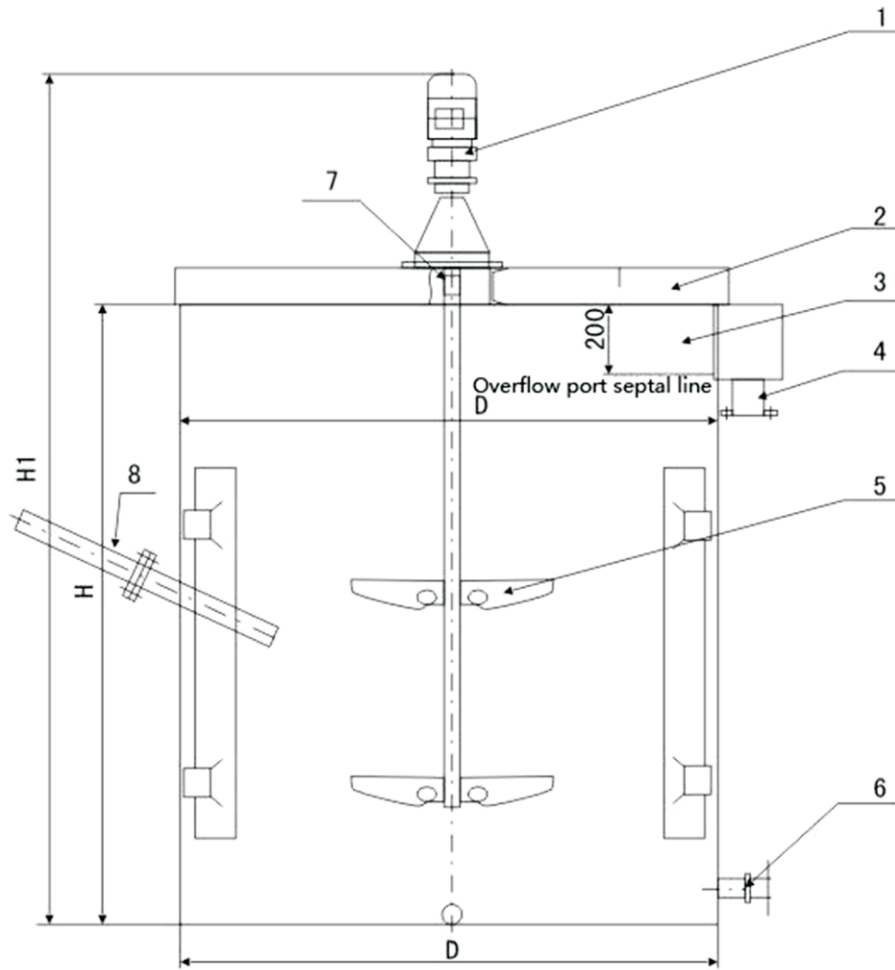


**Henan Hongxing Heavy Machinery Co., Ltd.**

**The Application and Function of Mixer:**

Mixer is the indispensable equipment to fully mix the reagent and the ore pulp, increase the reaction time of the reagent and strengthen the quality of

the reagent reaction. This machine is suitable to be used in ore beneficiation industry and also for stirring the ingredients in all various industries.



- 1.Speed reducer                      2.Gear trestle                      3.Trough body(FRP)
- 4.Overflow port(FRP)d1            5.Stirring shaft leaf(FRP)        6.Lower discharging port (FRP)d1
- 7.Coupling                            8.Feeding pipe d3 (FRP)

**The Working Process of Mixer:**

When the machine works, under the rotation of the impeller, the ore pulp and the reagents will have big and small circulation, and they will be

evenly mixed, and the mixed suspension liquid will be discharged from the overflow port.

## Characteristics:

Supply Ability: 20 Set/Sets per Month

Certificate: ISO9001:2008

Type: Ore dressing machine

Feature: Stir, Good sealing, Rapid discharge



## Working principle

When the machine works, under the rotation of the impeller, the ore pulp and the reagents will have big and small circulation, and they will be evenly mixed, and the mixed suspension liquid will be discharged from the overflow port.

## Features

This machine is set before the flotation machine to make the reagent and the ore pulp be fully mixed. This machine is suitable for mixing the ore pulp whose density is lower than 3.5 and the flotation reagents whose density is lower than 30%.



## Technical data :

Specification	Chute inner dimension		Effective cubage (m <sup>3</sup> )	Mixer		Motor		Total weight (kg)
	Diameter (mm)	Depth (mm)		Diameter (mm)	Rotate speed (r/min)	Model	Power (kw)	
XB-750	750	750	0.26	240	530	Y90S-4	1.1	550
XB-1000	1000	1000	0.58	240	530	Y90L-4	1.5	700
XB-1200	1200	1200	1.14	400	320	Y100L2-4	3	980
XB-1500	1500	1500	2.2	400	320	Y100L2-4	3	1330
XB-2000	2000	2000	5.46	550	230	Y132M2-6	5.5	2100
XB-2500	2500	2500	11.2	650	200	Y160L-6	11	3438
XB-3000	3000	3000	19.1	700	210	Y225S-8	18.5	5100
XB-3500	3500	3500	30	850	230	Y225M-8	22	7900

# HXJQ<sup>®</sup>

China Largest Mining Machinery  
Manufacturer



- **Pre-sale services: enthusiasm**

We provide you with the prophase plan, process flow design and manufacturer equipment according to your special demand.

- **Sale services: servant**

Send technicians to the jobsite for guiding the installation and adjustment, training operators and finishing the check and accept together with you.

- **After-sale services: faithfulness**

To establish long term friendship, we will regularly pay return visit to customers. Supplying technique, building design, instruction , installation