

Operating Instruction

RAYMOND MILL

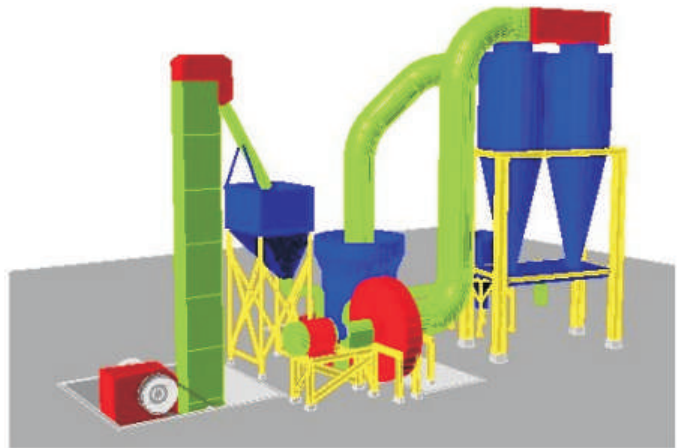
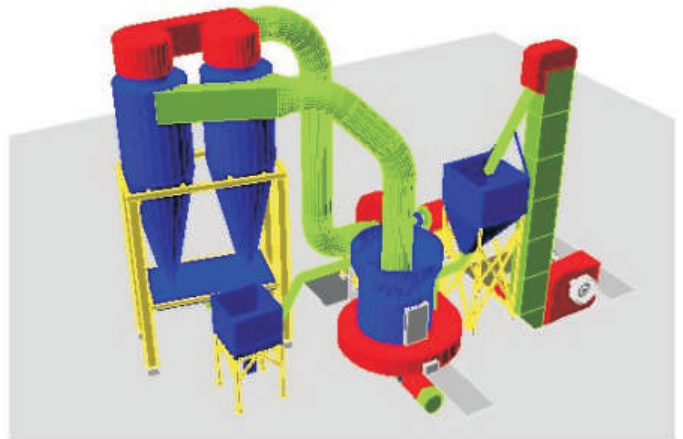
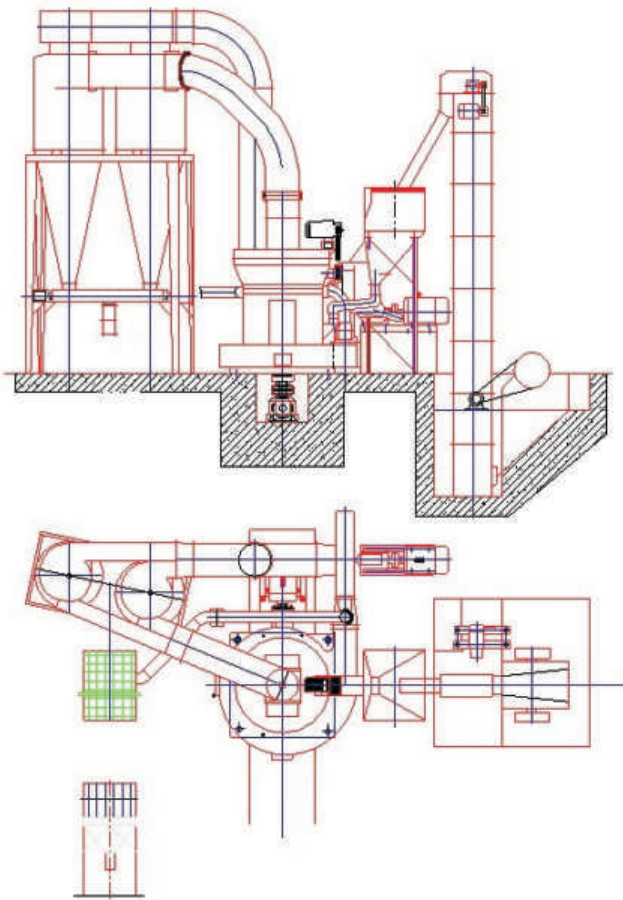


Henan Hongxing Heavy Machinery Co., Ltd.

The Handling Materials and Application of Raymond Mill:

Hongxing Raymond mill is widely used for grinding non-flammable and non-explosive materials whose Moh's hardness is below 9.3 and humidity less than 6% such as barite, calcite, potassium feldspar, talc, marble,

limestone, dolomite, fluorite and lime, activated clay, activated carbon, bentonite, kaolin, cement, phosphate rock, gypsum, glass and thermal insulation material in mine, metallurgy, chemistry and building industry.



The Main Structure of Raymond Mill:

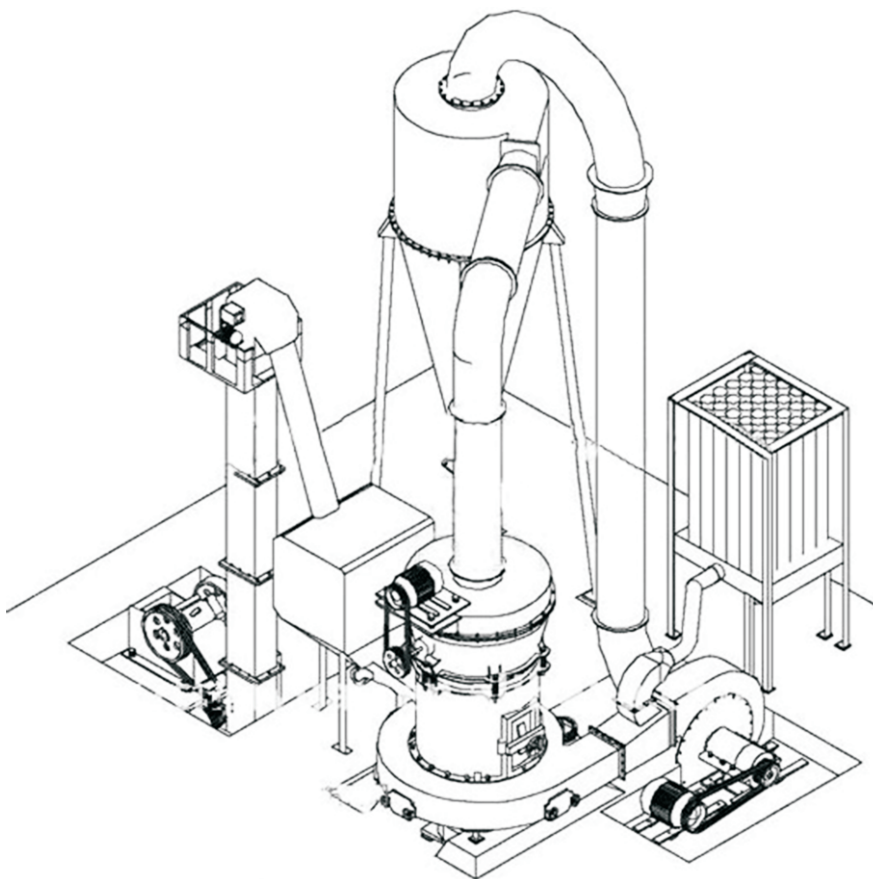
This machine is mainly composed of main engine, analytical engine, air blower, clone separator for final products, clone separator for micro powders and air pipe, and the main

engine is composed of rack, inlet air volute, relieving tool, grinding roll, grinding ring and cover piece.

Features

Compared with ball mill, this equipment has high grinding efficiency, low electricity consumption and small coverage size and one-time investment. The grinding roll tightly presses on the grinding ring under centrifugal force; for this reason, when the grinding roll and the grinding ring are abraded, the output and the fineness of the final products are not influenced. The

changing cycle of the grinding roll and the grinding ring is long. The air separation flow of this machine cyclically flows inside the air blower, mill case, cyclone separator and air blower, so that compared with high-speed centrifugal crusher, this machine has little powder dust and the operational workshop is clean.



Advantages:

1. Low investment cost, under the same fineness condition, it has lower input than air current mill, lower cost and shorter recovery period.
2. Under the same fineness of finished products and power, its output is higher by 45% than air current mill and stirred mill.



Characteristics:

Processing ability: 2-120 t/h

Feeding size: ≤ 15 - ≤ 30 mm

Applied material: barite, calcite, feldspar, talc, marble, limestone, dolomite, fluorite.



Working principle:

When Raymond mill works, the materials that need to be crushed are fed into the machine through the feeding hopper. The grinding roll that hangs on the main engine will rotate around the vertical axis and rotates around itself. Due to the centrifugal force produced in the rotating process, the grinding roll will swing outward and tightly press onto the grinding ring to make the relieving tool scoop up the materials and send them to the space between the grinding roll and the grinding ring, and the materials will be crushed due to the rolling and grinding of the grinding roll.

Technical data :

Parameter	6R4525	5R4119	4R3216	3R90	3R85	3R75	3R65	3R60
				4R90	4R85			
Feeding size (mm)	≤ 30	≤ 25	≤ 25	≤ 25	≤ 20	≤ 20	≤ 15	≤ 15
Particle size of finished product (mm)	0.125-0.044	0.125-0.044	0.125-0.044	0.125-0.044	0.125-0.044	0.125-0.044	0.125-0.044	0.125-0.044
Shift output of different material fineness (t)	16-120	8-60	4-45	3-35	2-28	1.5-20	1-18	0.5-8
Diameter of pulverizing ring (mm)	82	105	130	160	160	160	180	280
Diameter of pulverizing roller (mm)	1770	1400	1073	973	885	865	725	495
Diameter of pulverizing roller (mm)	450	410	320	300	270	260	210	140
Height of pulverizing roller (mm)	250	190	160	160	150	150	150	100
Main Motor	Y315m-4-132	Y280s-4-75	Y225s-4-37	Y225m-8-30	Y225m-8-22	Y225s-8-18.5	Y200L-8-15	Y160m-6-7.5
Fan Motor	Y315m-4-132	Y250m-4-75	Y200L-4-37	Y180m-4-22	Y160L-4-15	Y160L-4-15	Y160m-4-11	Y132s-2-5.5
Analyzer motor	Y160m-4-18.5	Yc200-4B-7.5	Yc120-4a-5.5	Y112m-6-2.2	Y112m-6-2.2	Y112m-6-2.2	Y112m-6-2.2	Y90L-6-1.1



HXJQ[®]

China Largest Mining Machinery
Manufacturer



- **Pre-sale services: enthusiasm**

We provide you with the prophase plan, process flow design and manufacturer equipment according to your special demand.

- **Sale services: servant**

Send technicians to the jobsite for guiding the installation and adjustment, training operators and finishing the check and accept together with you.

- **After-sale services: faithfulness**

To establish long term friendship, we will regularly pay return visit to customers. Supplying technique, building design, instruction , installation